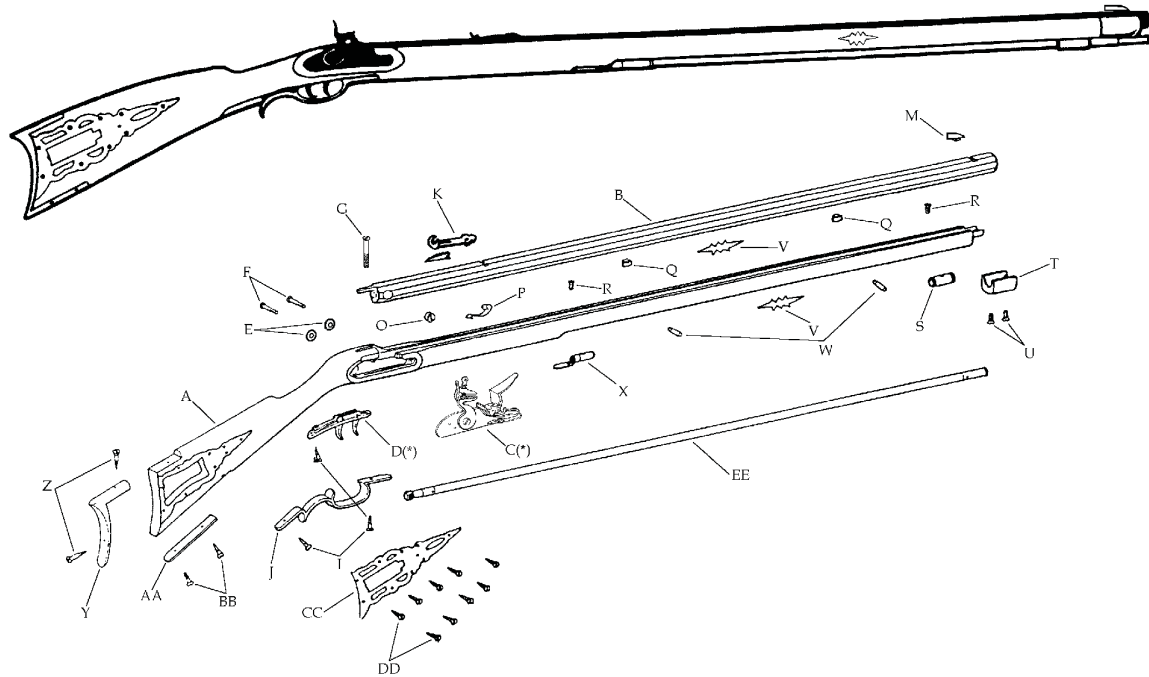


- Shenandoah Rifle -
Models: R-2110
 .50 cal. flint. 1-66"
 Blued Barrel

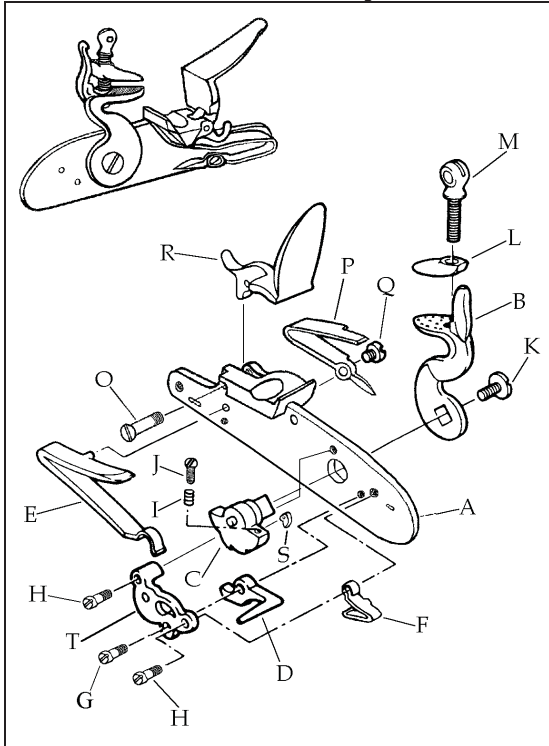


Description	Reference	Description	Reference
A Stock Beech (Flintlock) (Finished).....	FCS21101	Q Barrel Tenon (2).....	20233
B Barrel Assembly (Kit) (Length 33 1/2") .50 cal. flint. (twist 1-66").....	C-201020	R Ramrod Thimble Screw (2).....	21025
Barrel Assembly Blued (Finished) (Length 33 1/2") .50 cal. flint. (twist 1-66").....	FB211020	S Front Thimble (Brass).....	20613
C Flintlock.....	23503	T Nose Cap (Brass).....	21215
D Trigger Assembly.....	20622R	U Nose Cap Screw (2).....	20214
E Lock Plate Washer (2).....	20619	V "Hunter's Star" Small (Brass) (2).....	21039
F Lock Plate Washer Screw (2).....	20220	W Barrel Tenon Pin. (2).....	20218
G Tang Screw.....	20209	X Rear Thimble (Brass).....	21014
I Trigger Guard Screw (3).....	20624	Y Butt Plate (Brass).....	20226
J Trigger Guard (Brass).....	20623	Z Butt Plate Screw (2).....	20627
K Rear Sight.....	22810	AA Toe Plate (Brass).....	21031
M Front Sight.....	20611	BB Toe Plate Screw (2).....	20624
O Touch Hole Insert.....	20534	CC Patchbox (Brass).....	21035
P Ramrod Retainig Spring.....	20621	DD Patchbox Screw (9).....	400024
		EE Ramrod Assembly.....	20228

(*) Exploded view at the reverse.

TRADITIONS™

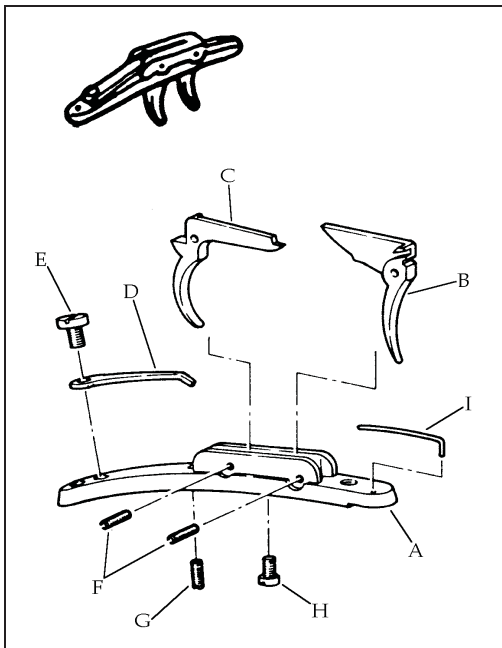
Flintlock Assembly - Ref. 23503



Description	Reference
A Lock Plate.....	70623
B Hammer.....	70624
C Tumbler.....	70603
D Sear.....	70504
E Mainspring.....	70505
F Sear Spring.....	70506
G Sear Screw.....	70514
H Sear Spring & Bridle Screw (2).....	70515
I Sear Adjusting Screw Spring.....	70520
J Sear Adjusting Screw.....	70518
K Hammer Screw.....	75512P
L Top Jaw.....	70309
M Top Jaw Screw.....	70513L
O Frizzen Screw.....	70627
P Frizzen Spring.....	70625
Q Frizzen Spring Screw.....	70628
R Frizzen.....	70626
S Fly.....	70611
T Bridle.....	70508

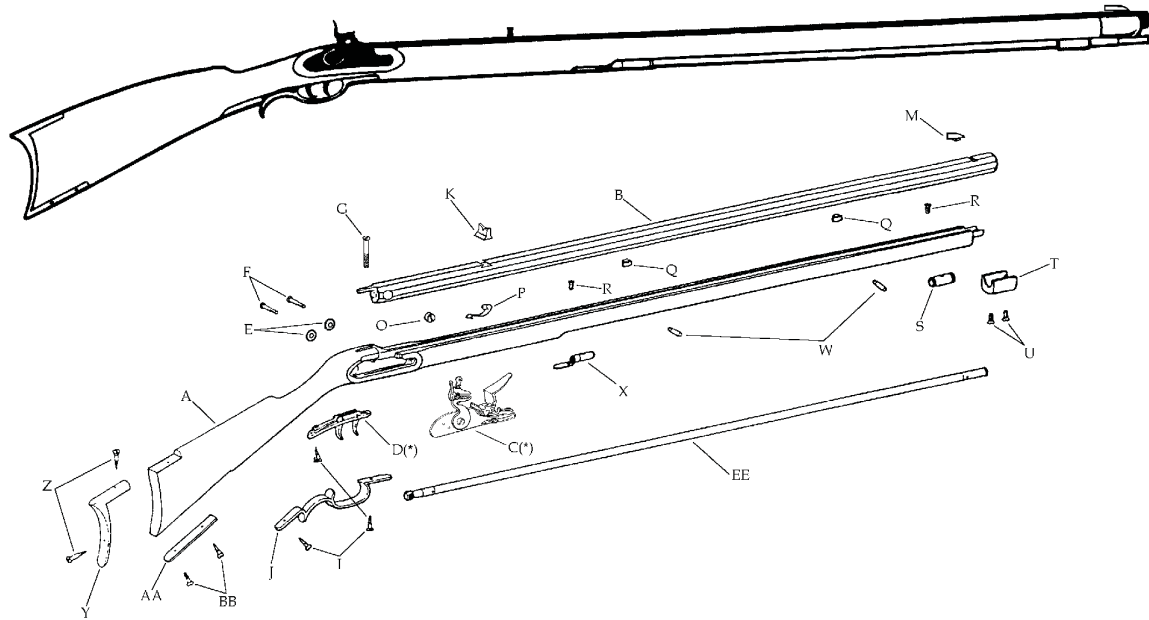
Trigger Assembly

- Ref. 20622R



Description	Reference
A Trigger Plate.....	60601R
B Front Trigger.....	60602
C Rear Trigger.....	60603
D Rear Spring.....	60604R
E Rear Spring Screw.....	60606
F Trigger Pin (2).....	60609
G Rear Trigger Adjustment Screw.....	60608
H Front Trigger Adjustment Screw.....	60607
I Front Spring.....	60605

- Shenandoah Rifle -
Models: R-21101
 .50 cal. flint. 1-66"
 Blued Barrel 1

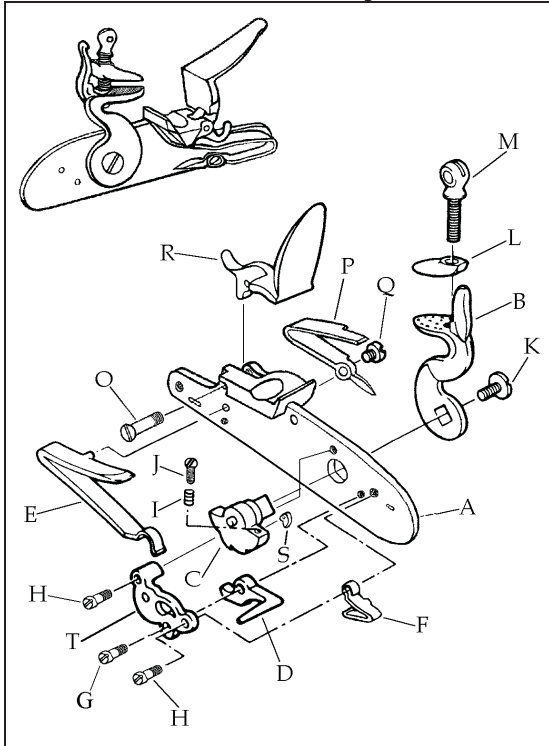


Description	Reference	Description	Reference
A Stock Beech (Flintlock) (Finished).....	FCS21501	O Touch Hole Insert	20534
B Barrel Assembly (Kit) (Length 33 1/2") .50 cal. flint. (twist 1-66").....	C-201020	P Ramrod Retainig Spring.....	20621
Barrel Assembly Blued (Finished) (Length 33 1/2") .50 cal. flint. (twist 1-66").....	FB213060	Q Barrel Tenon (2).....	20233
C Flintlock.....	23503	R Ramrod Thimble Screw (2).....	21025
D Trigger Assembly.....	20622R	S Front Thimble (Brass).....	20613
E Lock Plate Washer (2).....	20619	T Nose Cap (Brass).....	21215
F Lock Plate Washer Screw (2).....	20220	U Nose Cap Screw (2).....	20214
G Tang Screw.....	20209	W Barrel Tenon Pin. (2).....	20218
I Trigger Guard Screw (3).....	20624	X Rear Thimble (Brass).....	20213-B
J Trigger Guard (Brass).....	20623	Y Butt Plate (Brass).....	20226
K Rear Sight.....	20210	Z Butt Plate Screw (2).....	20627
M Front Sight.....	20611	AA Toe Plate (Brass).....	21031
		BB Toe Plate Screw (2).....	20624
		EE Ramrod Assembly.....	20228

(*) Exploded view at the reverse.

TRADITIONS™

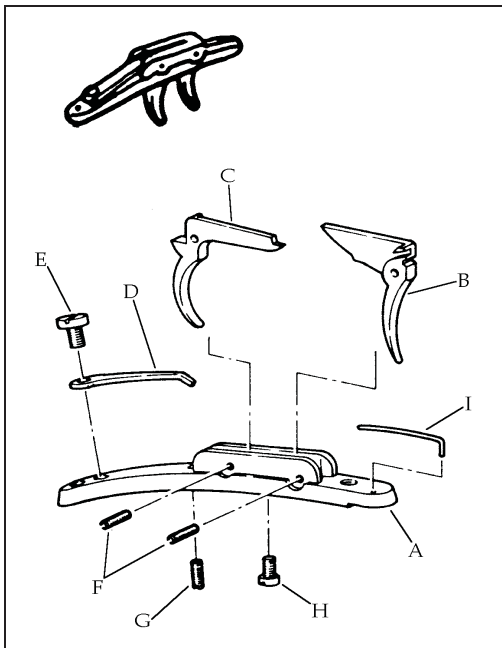
Flintlock Assembly - Ref. 23503



Description	Reference
A Lock Plate.....	70623
B Hammer.....	70624
C Tumbler.....	70603
D Sear.....	70504
E Mainspring.....	70505
F Sear Spring.....	70506
G Sear Screw.....	70514
H Sear Spring & Bridle Screw (2).....	70515
I Sear Adjusting Screw Spring.....	70520
J Sear Adjusting Screw.....	70518
K Hammer Screw.....	75512P
L Top Jaw.....	70309
M Top Jaw Screw.....	70513L
O Frizzen Screw.....	70627
P Frizzen Spring.....	70625
Q Frizzen Spring Screw.....	70628
R Frizzen.....	70626
S Fly.....	70611
T Bridle.....	70508

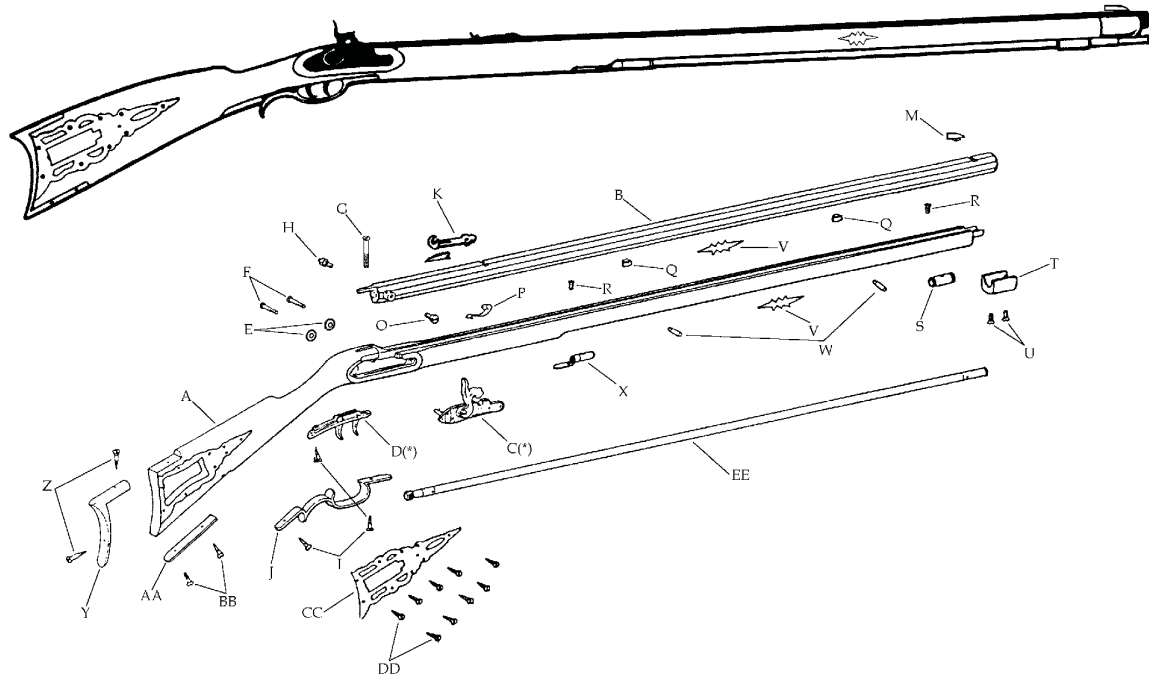
Trigger Assembly

- Ref. 20622R



Description	Reference
A Trigger Plate.....	60601R
B Front Trigger.....	60602
C Rear Trigger.....	60603
D Rear Spring.....	60604R
E Rear Spring Screw.....	60606
F Trigger Pin (2).....	60609
G Rear Trigger Adjustment Screw.....	60608
H Front Trigger Adjustment Screw.....	60607
I Front Spring.....	60605

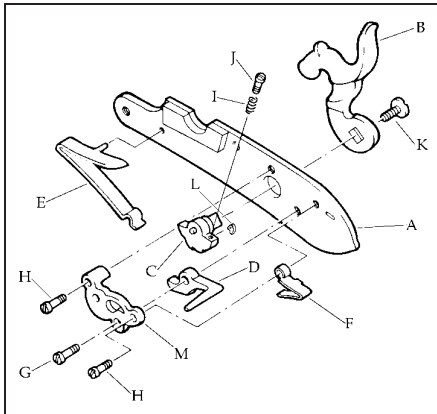
- Shenandoah Rifle -
Models: R-2120
 .50 cal. perc. 1-66"
 Blued Barrel



Description	Reference	Description	Reference
A Stock Beech (Percussion) (Finished).....	FCS21201	O Bolster Screw -Percussion	20605
B Barrel Assembly (Kit) (Length 33 1/2")		Q Barrel Tenon (2).....	20233
.50 cal. perc. (twist 1-66").....	C-202020	R Ramrod Thimble Screw (2).....	21025
Barrel Assembly Blued (Finished) (Length 33 1/2")		S Front Thimble (Brass).....	20613
.50 cal. perc. (twist 1-66").....	FB212020	T Nose Cap (Brass).....	21215
C Percussion Lock.....	20603	U Nose Cap Screw (2).....	20214
D Trigger Assembly.....	20622R	V "Hunter's Star" Small (Brass) (2).....	21039
E Lock Plate Washer (2).....	20619	W Barrel Tenon Pin. (2).....	20218
F Lock Plate Washer Screw (2).....	20220	X Rear Thimble (Brass).....	21014
G Tang Screw.....	20209	Y Butt Plate (Brass).....	20226
H Nipple Percussion	20608	Z Butt Plate Screw (2).....	20627
I Trigger Guard Screw (3).....	20624	AA Toe Plate (Brass).....	21031
J Trigger Guard (Brass).....	20623	BB Toe Plate Screw (2).....	20624
K Rear Sight.....	22810	CC Patchbox (Brass).....	21035
M Front Sight.....	20611	DD Patchbox Screw (9).....	400024
O Bolster Screw -Percussion	20605	EE Ramrod Assembly.....	20228

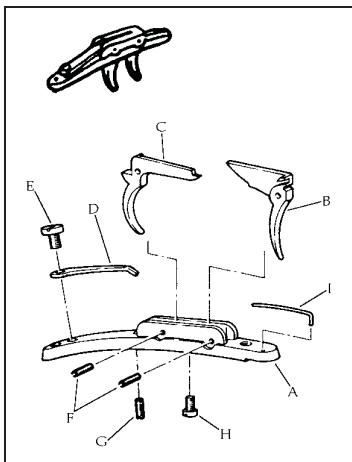
(*) Exploded view at the reverse.

Percussion Lock Assembly
- Ref. 20603



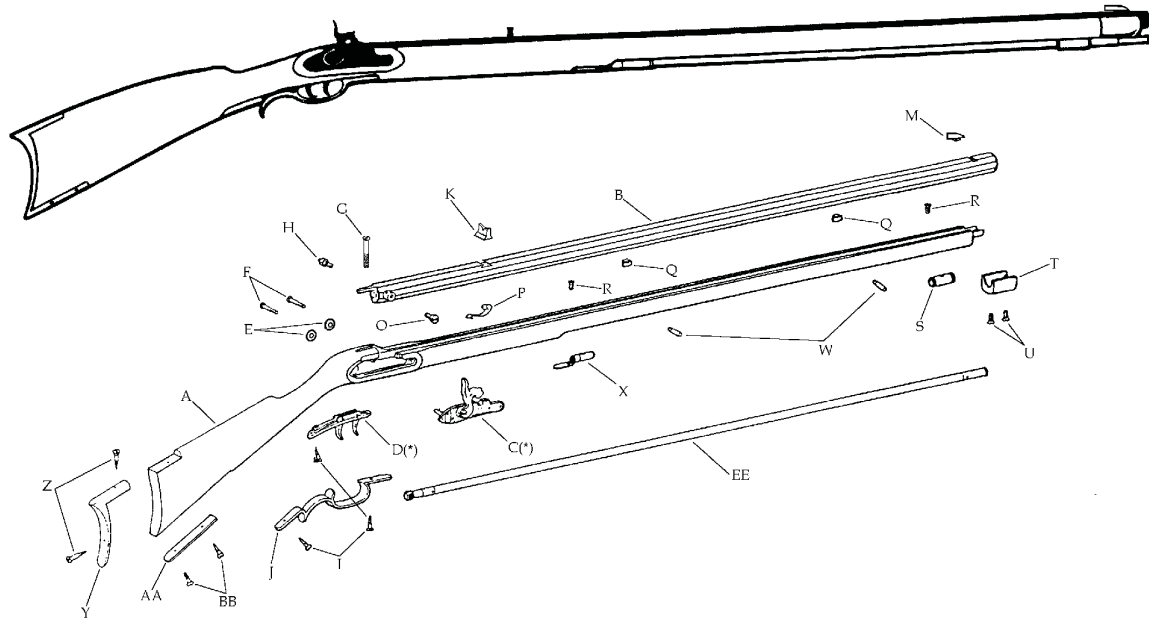
Description	Reference
A Lock Plate.....	70501
B Hammer.....	70602
C Tumbler.....	70603
D Sear.....	70504
E Mainspring.....	70505
F Sear Spring.....	70506
G Sear Screw.....	70514
H Sear Spring & Bridle Screw (2).....	70515
I Sear Adjusting Screw Spring.....	70520
J Sear Adjusting Screw.....	70518
K Hammer Screw.....	75512P
L Fly.....	70611
M Bridle.....	70508

Trigger Assembly
- Ref. 20622R



Description	Reference
A Trigger Plate.....	60601R
B Front Trigger.....	60602
C Rear Trigger.....	60603
D Rear Spring.....	60604R
E Rear Spring Screw.....	60606
F Trigger Pin (2).....	60609
G Rear Trigger Adjustment Screw.....	60608
H Front Trigger Adjustment Screw.....	60607
I Front Spring.....	60605

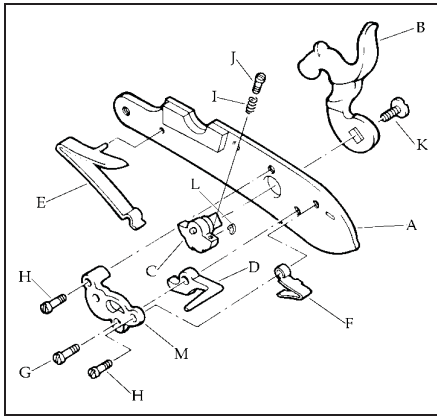
- Shenandoah Rifle -
Models: R-21201
 .50 cal. perc. 1-66"
 Blued Barrel



Description	Reference	Description	Reference
A Stock Beech (Percussion) (Finished).....	FCS21301	O Bolster Screw -Percussion Only.....	20605
B Barrel Assembly Blued (Kit) (Length 33 1/2") .50 cal. perc. (twist 1-66").....	C-202020	P Ramrod Retainig Spring.....	20621
Barrel Assembly Blued (Finished) (Length 33 1/2") .50 cal. perc. (twist 1-66").....	FB212060	Q Barrel Tenon (2).....	20233
C Percussion Lock.....	20603	R Ramrod Thimble Screw (2).....	21025
D Trigger Assembly.....	20622R	S Front Thimble (Brass).....	20613
E Lock Plate Washer (2).....	20619	T Nose Cap (Brass).....	21215
F Lock Plate Washer Screw (2).....	20220	U Nose Cap Screw (2).....	20214
G Tang Screw.....	20209	W Barrel Tenon Pin. (2).....	20218
H Nipple Percussion Only.....	20608	X Rear Thimble (Brass).....	20213-B
I Trigger Guard Screw (3).....	20624	Y Butt Plate (Brass).....	20226
J Trigger Guard (Brass).....	20623	Z Butt Plate Screw (2).....	20627
K Rear Sight.....	20210	AA Toe Plate (Brass).....	21031
M Front Sight.....	20611	BB Toe Plate Screw (2).....	20624
		EE Ramrod Assembly.....	20228

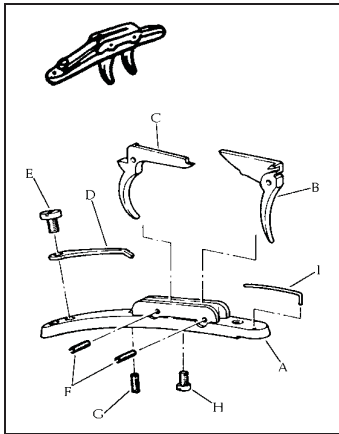
(*) Exploded view at the reverse.

Percussion Lock Assembly
- Ref. 20603



	Description	Reference
A	Lock Plate.....	70501
B	Hammer.....	70602
C	Tumbler.....	70603
D	Sear.....	70504
E	Mainspring.....	70505
F	Sear Spring.....	70506
G	Sear Screw.....	70514
H	Sear Spring & Bridle Screw (2).....	70515
I	Sear Adjusting Screw Spring.....	70520
J	Sear Adjusting Screw.....	70518
K	Hammer Screw.....	75512P
L	Fly.....	70611
M	Bridle.....	70508

Trigger Assembly
- Ref. 20622R



	Description	Reference
A	Trigger Plate.....	60601R
B	Front Trigger.....	60602
C	Rear Trigger.....	60603
D	Rear Spring.....	60604R
E	Rear Spring Screw.....	60606
F	Trigger Pin (2).....	60609
G	Rear Trigger Adjustment Screw.....	60608
H	Front Trigger Adjustment Screw.....	60607
I	Front Spring.....	60605

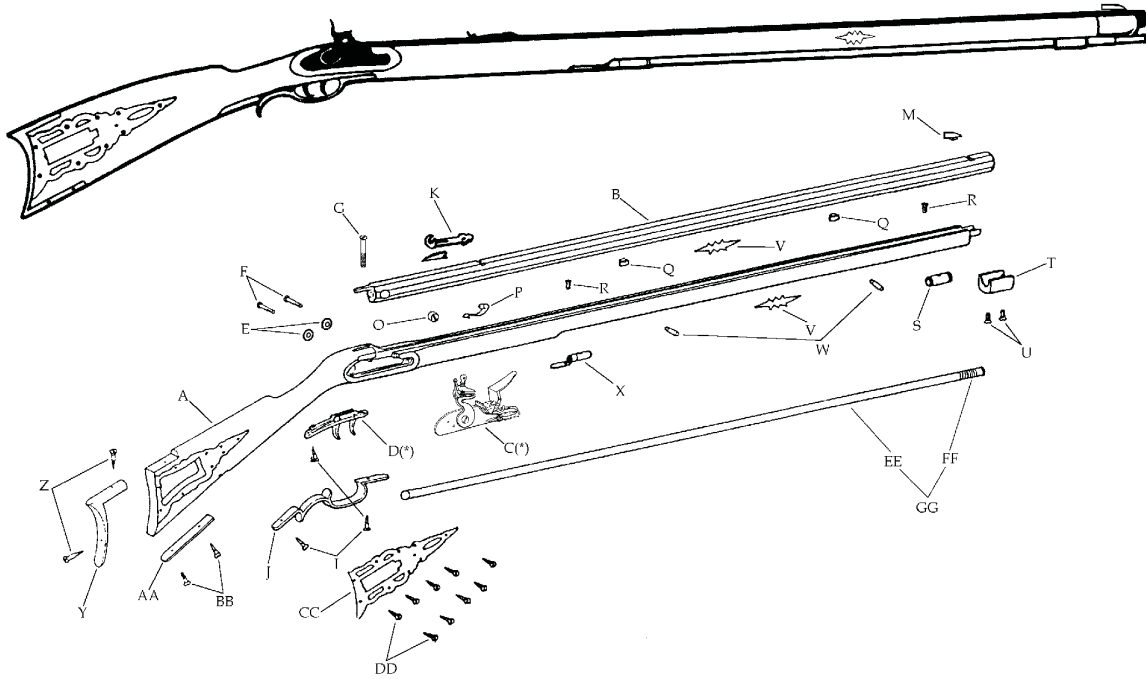
- Shenandoah Rifle -

Models:

R-2116801

.36 cal. Flint. 1-48"

Blued Barrel

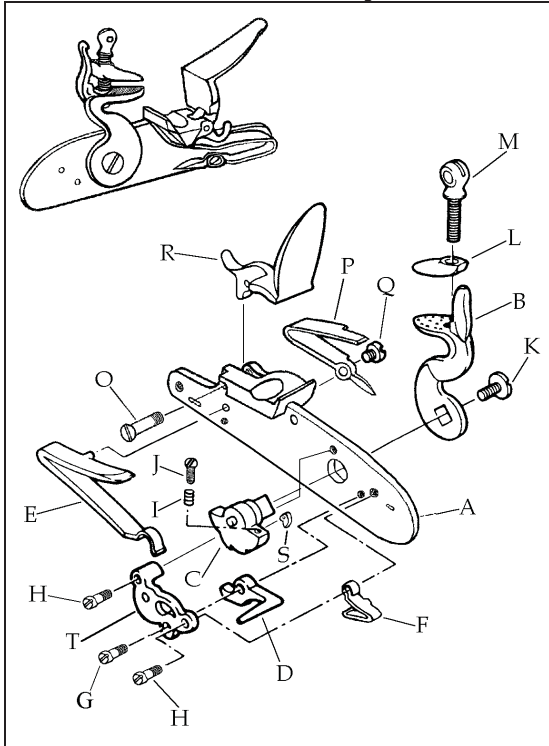


Description	Reference	Description	Reference
A Stock Beech (Flintlock) (Finished).....	FCS21101	R Ramrod Thimble Screw (2).....	21025
B Barrel Assembly (Kit) (Length 33 1/2") .36 cal. flint. (twist 1-48").....	C-211680	S Front Thimble (Brass).....	20613
Barrel Assembly Blued (Finished) (Length 33 1/2") .36 cal. flint. (twist 1-48").....	FB211680	T Nose Cap (Brass).....	21215
C Flintlock.....	23503	U Nose Cap Screw (2).....	20214
D Trigger Assembly.....	20622R	V "Hunter's Star" Small (Brass) (2).....	21039
E Lock Plate Washer (2).....	20619	W Barrel Tenon Pin. (2).....	20218
F Lock Plate Washer Screw (2).....	20220	X Rear Thimble (Brass).....	21014
G Tang Screw.....	20209	Y Butt Plate (Brass).....	20226
I Trigger Guard Screw (3).....	20624	Z Butt Plate Screw (2).....	20627
J Trigger Guard (Brass).....	20623	AA Toe Plate (Brass).....	21031
K Rear Sight.....	22810	BB Toe Plate Screw (2).....	20624
M Front Sight.....	20611	CC Patchbox (Brass).....	21035
O Touch Hole Insert.....	20534	DD Patchbox Screw (9).....	400024
P Ramrod Retainig Spring.....	20621	EE Ramrod (Aluminium).....	212030
Q Barrel Tenon (2).....	20233	FF Ramrod Tip .36 Cal.....	26028
		GG Ramrod Assembly.....	212011

(*) Exploded view at the reverse.

TRADITIONS™

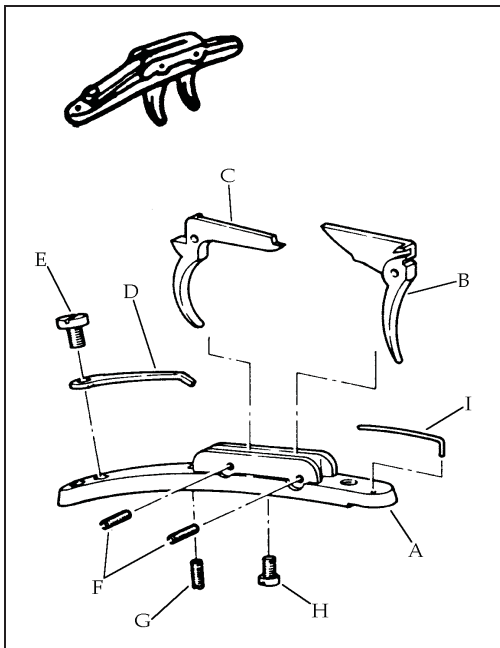
Flintlock Assembly - Ref. 23503



Description	Reference
A Lock Plate.....	70623
B Hammer.....	70624
C Tumbler.....	70603
D Sear.....	70504
E Mainspring.....	70505
F Sear Spring.....	70506
G Sear Screw.....	70514
H Sear Spring & Bridle Screw (2).....	70515
I Sear Adjusting Screw Spring.....	70520
J Sear Adjusting Screw.....	70518
K Hammer Screw.....	75512P
L Top Jaw.....	70309
M Top Jaw Screw.....	70513L
O Frizzen Screw.....	70627
P Frizzen Spring.....	70625
Q Frizzen Spring Screw.....	70628
R Frizzen.....	70626
S Fly.....	70611
T Bridle.....	70508

Trigger Assembly

- Ref. 20622R



Description	Reference
A Trigger Plate.....	60601R
B Front Trigger.....	60602
C Rear Trigger.....	60603
D Rear Spring.....	60604R
E Rear Spring Screw.....	60606
F Trigger Pin (2).....	60609
G Rear Trigger Adjustment Screw.....	60608
H Front Trigger Adjustment Screw.....	60607
I Front Spring.....	60605

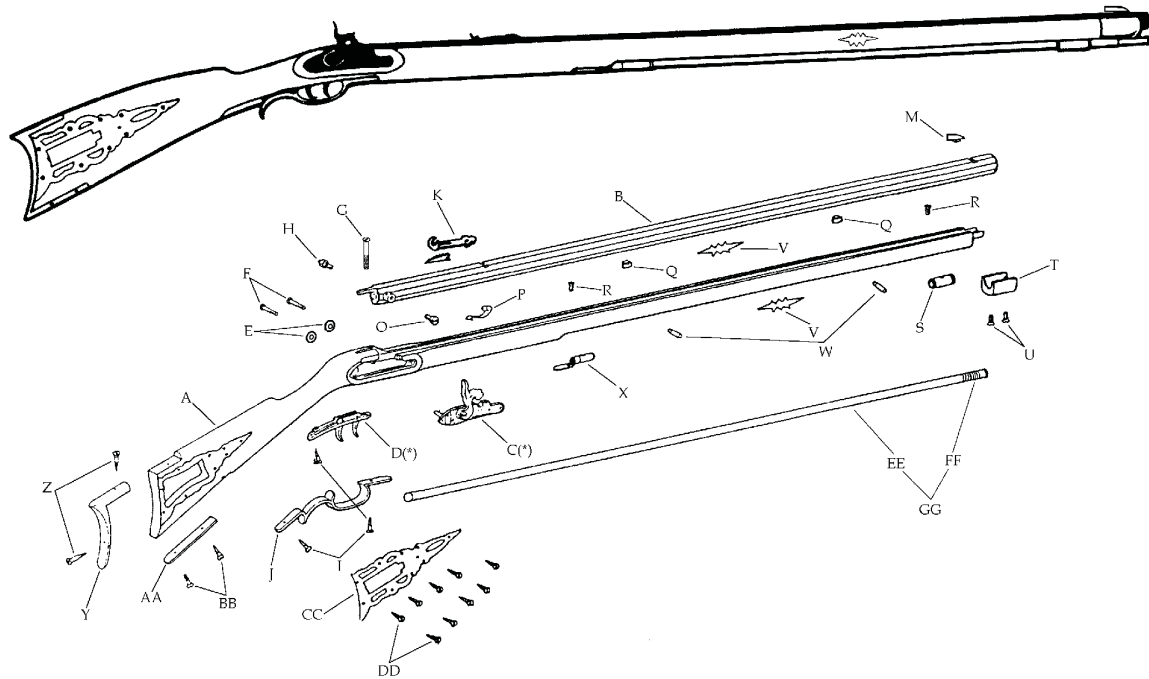
- Shenandoah Rifle -

Models:

R-21268101

.36 cal. Perc. 1-48"

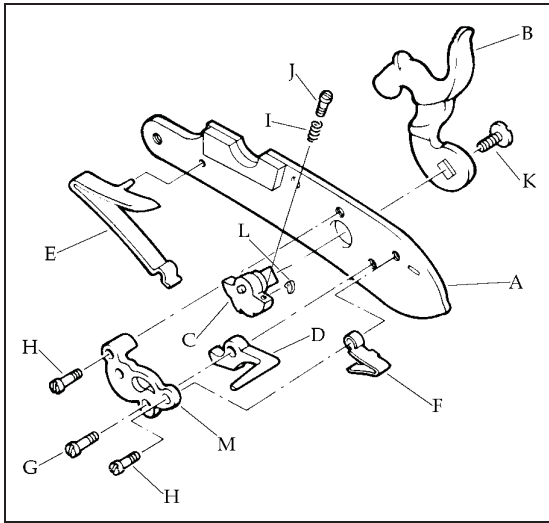
Blued Barrel



Description	Reference	Description	Reference
A Stock Beech (Percussion) (Finished).....	FCS21201	Q Barrel Tenon (2).....	20233
B Barrel Assembly (Kit) (Length 33 1/2") .36 cal. perc. (twist 1-48").....	C-212680	R Ramrod Thimble Screw (2).....	21025
Barrel Assembly Blued (Finished) (Length 33 1/2") .36 cal. perc. (twist 1-48").....	FB212680	S Front Thimble (Brass).....	20613
C Percussion Lock.....	20603	T Nose Cap (Brass).....	21215
D Trigger Assembly.....	20622R	U Nose Cap Screw (2).....	20214
E Lock Plate Washer (2).....	20619	V "Hunter's Star" Small (Brass) (2).....	21039
F Lock Plate Washer Screw (2).....	20220	W Barrel Tenon Pin. (2).....	20218
G Tang Screw.....	20209	X Rear Thimble (Brass).....	21014
H Nipple Percussion Only.....	20608	Y Butt Plate (Brass).....	20226
I Trigger Guard Screw (3).....	20624	Z Butt Plate Screw (2).....	20627
J Trigger Guard (Brass).....	20623	AA Toe Plate (Brass).....	21031
K Rear Sight.....	22810	BB Toe Plate Screw (2).....	20624
M Front Sight.....	20611	CC Patchbox (Brass).....	21035
O Bolster Screw -Percussion Only.....	20605	DD Patchbox Screw (9).....	400024
P Ramrod Retaining Spring.....	20621	EE Ramrod (Aluminium).....	212030
		FF Ramrod Tip .36 Cal.....	26028
		GG Ramrod Assembly.....	212011

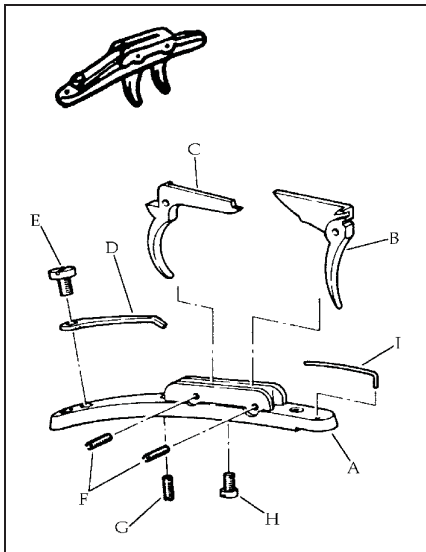
(*) Exploded view at the reverse.

Percussion Lock Assembly
- Ref. 20603



	Description	Reference
A	Lock Plate.....	70501
B	Hammer.....	70602
C	Tumbler.....	70603
D	Sear.....	70504
E	Mainspring.....	70505
F	Sear Spring.....	70506
G	Sear Screw.....	70514
H	Sear Spring & Bridle Screw (2).....	70515
I	Sear Adjusting Screw Spring.....	70520
J	Sear Adjusting Screw.....	70518
K	Hammer Screw.....	75512P
L	Fly.....	70611
M	Bridle.....	70508

Trigger Assembly
- Ref. 20622R



	Description	Reference
A	Trigger Plate.....	60601R
B	Front Trigger.....	60602
C	Rear Trigger.....	60603
D	Rear Spring.....	60604R
E	Rear Spring Screw.....	60606
F	Trigger Pin (2).....	60609
G	Rear Trigger Adjustment Screw.....	60608
H	Front Trigger Adjustment Screw.....	60607
I	Front Spring.....	60605